



PNEUMATIC ROCKDRILLS

DIAMOND DRILLS

REPLACEMENT PARTS

# PHQ ; `cVU`≠bW

1175 Appleby Line, Unit C2, Burlington, Ontario, Canada L7L 5H9 Phone 905-332-3271 Fax 905-332-9497 Email info@phq[ `cVU.com

## PHQ220>< A5 J

All internal parts in PHQ220>< A5 J are also used in PHQ220 AV Jacklegs,

**This Sinker Drill delivers high High Frequency Penetration.**

**Standard operating controls are Located on the drill backhead.**

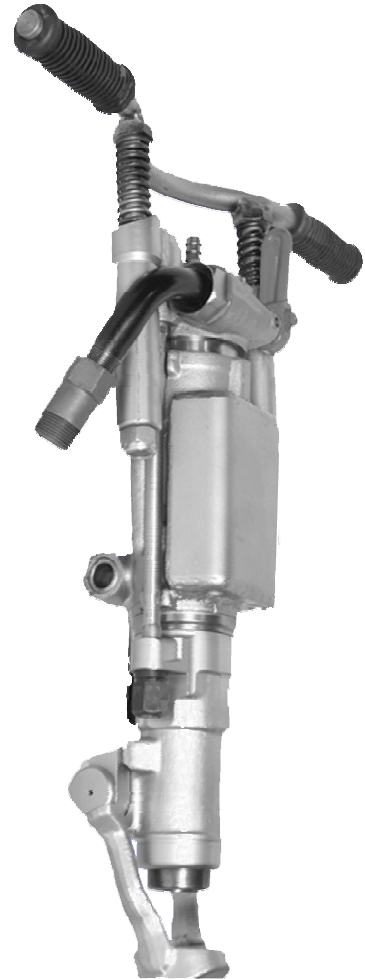
**Positive lubrication with strong front end blow.**

**Light weight balanced handling**

**"T" Handle is spring loaded to reduce the transference of vibration from the rock drill to the drill operator's hands and arms. Lessens driller fatigue.**

**Front end locking steel retainer for collared steel standard.**

**Use with rock drill oil or grease.**



## PHQ220>< A5 J

*PHQ's new 220 Sinker Drill is very light weight and easy handling for those smaller drilling projects.*



ISO 9001:2000

Certificate: 002485

[www.phq\[ `cVU.com](http://www.phq[ `cVU.com)

# PHQ220>< A 5 J

## Features

Large mating faces on components bodies for less wear and longer life

Reduced weight for ease of handling.

PHQ220>< A 5 J "GdYWZ4WUhc"

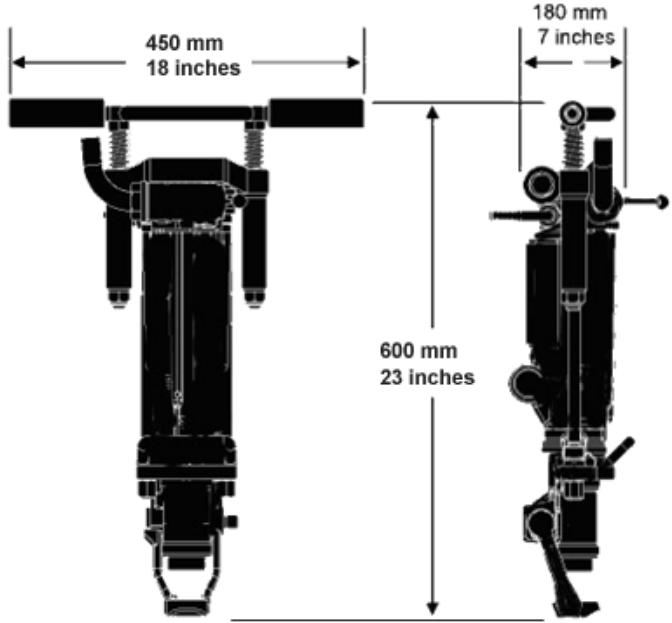
## PHQ220JHMAV

(MUFFLED)

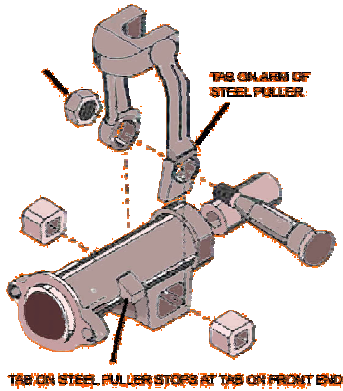
"T" HANDLE SINKER

SHOCK AND VIBRATION  
REDUCED SPRING MOUNT

Muffled Drill weighs ...27 kg 60 lb  
Standard Drill weighs 26 kg 57 lb



LOCKING FRONT END



PHQ220>< A 5 J configurations:

- SKM Integral steel muffler
- SKS Standard exhaust

PHQ220>< A 5 J

Muffled sinker collared c/w steel retainer

PHQ carries a full range of parts for PHQ220 drills in stock.

All parts made in to precise specifications using only the highest quality tool steel