



PNEUMATIC ROCKDRILLS

DIAMOND DRILLS

REPLACEMENT PARTS

PARTS HEADQUARTERS INC.

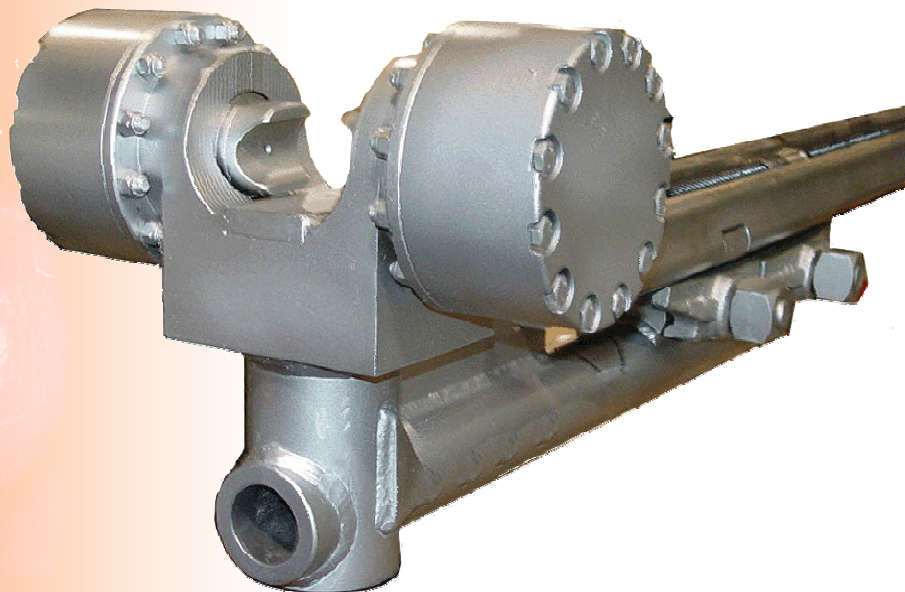
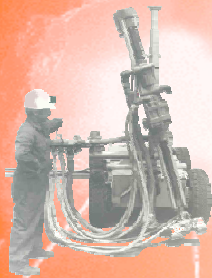
1175 Appleby Line, Unit C2, Burlington, Ontario, Canada L7L 5H9 Phone 905-332-3271 Fax 905-332-9497 Email info@partshq.com

PHQ15001H Heavy Duty Pneumatic Centralizer

- Clamping jaws available to fit 1¼" to 1½" drill steel
- Remove 12 through-bolts to service cylinder/change jaws.
- Centralizer controlled by one valve on the Remote Control.
- Rapid opening and powerful closing of Clamping Jaws.
- Rugged construction of welded steel tubing & channel.
- Centralizer slides on shell to meet length requirements.
- Clamp modified and height adjusted to fit all guide shells.

**Eliminate the back
breaking work of
handling drill rods.**

**Safely lift and lower
extension drill rods**



ISO 9001-2008 **QMI** CERT 002485
US SIC 5082 **SAI GLOBAL** NACE 651.6
REGISTERED

www.partshq.com

PHQ12001H Heavy Duty Pneumatic Centralizer

Features

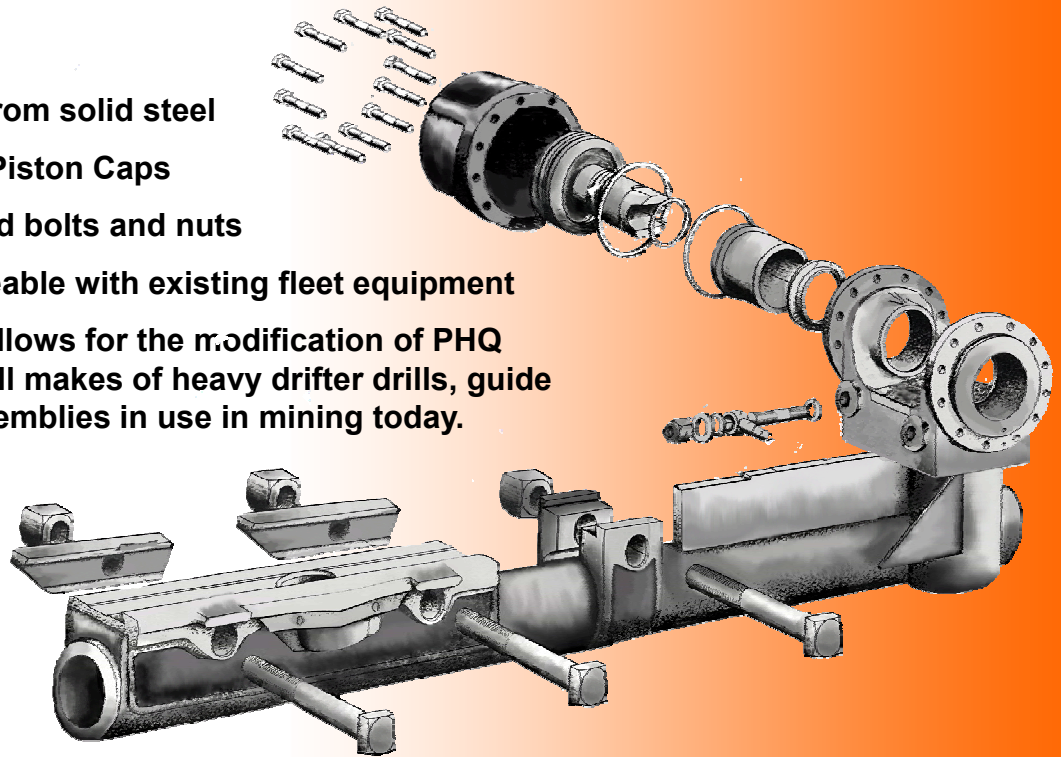
Body machined from solid steel

Easy removal of Piston Caps

Standard threaded bolts and nuts

Parts Interchangeable with existing fleet equipment

Modular design allows for the modification of PHQ centralizer to fit all makes of heavy drifter drills, guide shells & feed assemblies in use in mining today.



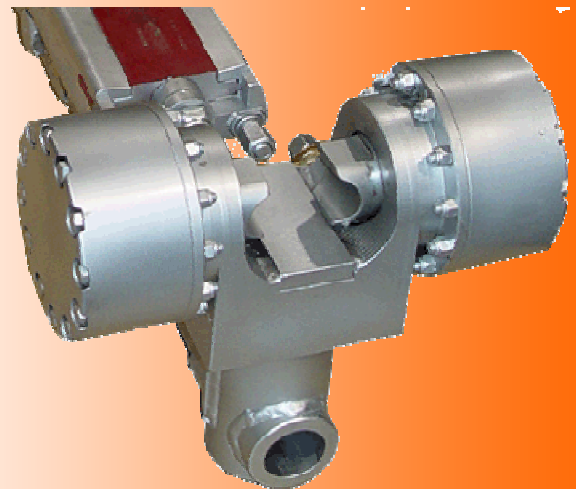
Centralizer Specifications

Weight	187 lb	86 kg
Length	32 inches	813 mm
Height	13.5 inches	343 mm
Width	15 inches	381 mm
Operating Pressure	100 psi	20 kPa
Extension	8 inches	203 mm
Gripping Force	3927 pound force	17468 Newton
Hose Size	½ inch	12.7 mm

PHQ Heavy Duty Centralizers are designed to hold up to 100 ft of 1½ round drill rods.

Single lever action at the Remote Panel controls lifting and lowering of rods.

Jaws grip the rod or the coupling while rotation spins threaded rod to uncouple.



PHQ15001H Centralizers are lubricated by air misted oil delivered by the in-line lubricator. Always use quality rock drill oil or grease.