

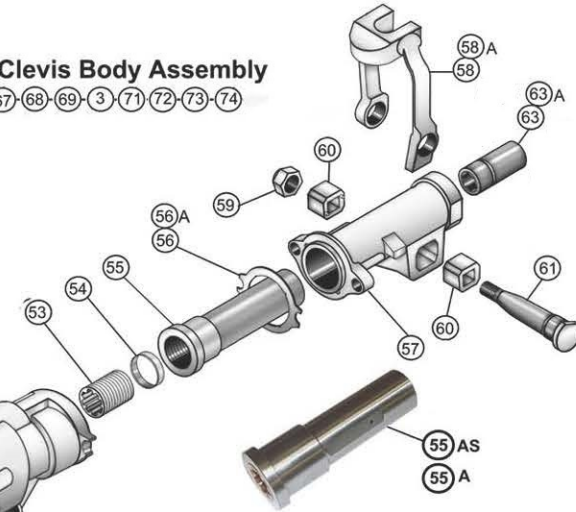
**19049 SINKER
HANDLE ASSEMBLY**

- 59-62s-91-94-133s-150-151
152-155-156-157-160-161

A693AX Clevis Body Assembly

- 64-65-66-67-68-69-3-71-72-73-74

65A



**B1178AS Chuck Assembly
c/w Chuck Nut & Insert**

- 53-55-63

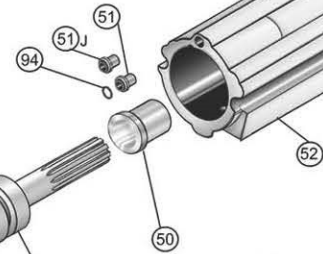
**B1178A Chuck Assembly
c/w Chuck Nut**

- 53-55

A745AS Valve Assembly

- 45-46-47

45AS



B2334A Piston c/w Rifle Nut

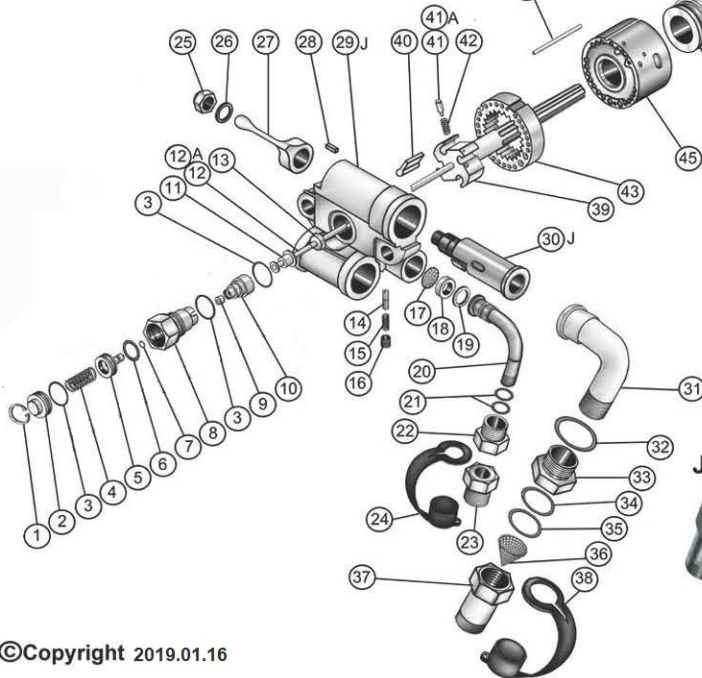
- 48-49



170 5048912 Lubricator

**A1506PC1
Water Valve
Assembly**

1 to 10 inclusive



JC45 Air Screen Assembly

- 35-36-37



PHQ250SKM SINKER DRILL



PHQGlobal 

Taking Mines to the Next Level!

C2 1175 Appleby Line, Burlington Ontario Canada L7L 5H9
Phone: (905) 332-3271 Fax: (905) 332-9497 Toll: (800) 267-2082
Website: www.phqglobal.com



PHQ Global



Taking Mines to the Next Level!

C2 1175 Appleby Line, Burlington Ontario Canada L7L 5H9
 Phone: (905) 332-3271 Fax: (905) 332-9497 Toll: (800) 267-2082
 Website: www.phqglobal.com

PHQ250SKM SINKER DRILL

Key#	Component	Assy	Description
1A	A1506PC1		WATER VALVE ASSEMBLY INCLUDES ITEMS (1) THRU (10)
1	20015	1	CIRCLIP
2	C1521PC1	1	CAP, WATER VALVE
3	1643903	6	O RING (164231)
4	D1406	1	SPRING, WATER VALVE
5	C1522PC1	1	VALVE, POPPET
6	1645704	1	O RING (164521)
7	1648102	1	O RING (164301)
8	B1181PC4	1	HOUSING, WATER VALVE
9	D1673	1	SEAT, WATER VALVE
10	C2144	1	RETAINER, WATER VALVE SEAT
11	D1674	1	SPACER, WATER TUBE
12	C1574A	1	WATER TUBE
12A	C1573		WATER TUBE (STRAIGHT)
13	D1675	1	SEAL, WATER TUBE
14	D1383	1	PLUNGER, THROTTLE VALVE
15	D1382	1	SPRING, THROTTLE DETENT
16	2422P	1	PLUG, DETENT
17	C1272	1	SCREEN, WATER INLET
18	D1402	1	SEAL, WATER INLET
19	S2487	1	WASHER, WATER STEM THRUST
20	C1809	1	WATER STEM (THREADED)
21	1646503	8	O RING (164811)
22	S2141	1	NUT, WATER STEM
23	1358356	1	SPUD, HOSE (F) (D2441)
24	C1811W	1	CAP, PLASTIC
25	D1385	1	NUT, NYLOC LOW PROFILE
26	149163MT	1	WASHER, LOCK
27J	C1509	1	HANDLE, THROTTLE (JACKLEG)
28	D1384	1	KEY, THROTTLE
29J	A660	1	BACKHEAD (JACKLEG)
30J	B1176	1	VALVE, THROTTLE (JACKLEG)
31	C1525N	1	AIR BEND
32	D1601	1	WASHER, AIR BEND NUT COPPER
33	C1526	1	NUT, AIR BEND
34	1648114	1	O RING (164731)
35A	JC45		AIR SCREEN ASSEMBLY INCLUDES ITEMS (35)(36)(37)
35	910660211	1	O RING (JC45)
36	355538	1	SCREEN

Key#	Component	Assy	Description
37	1356588	1	SPUD, HOSE (REDUCER)
38	C1811A	1	CAP, PLASTIC
39	B5053	1	RIFLE BAR (REVERSIBLE) (B1173R)
40	D6177	4	PAWL, RATCHET (REVERSIBLE) (D1381R)
41	S2134	4	PLUNGER, PAWL (STEEL)
41A	S2134P		PLUNGER, PAWL (NYLON)
42	D1611C	4	SPRING, PAWL
43	B1170	1	RATCHET RING (35 TOOTH)
44	S2128	1	PIN, VALVE BOX (D1397)
45AS	A745AS		VALVE ASSEMBLY INCLUDES ITEMS (45) (46) (47)
45	A745	1	VALVE BOX
46	C1648	1	VALVE
47	A744	1	PLUG, VALVE
48	C1508	1	RIFLE NUT
49A	B2334A		PISTON ASSEMBLY INCLUDES ITEMS (48) (49)
49	B2334	1	PISTON
50	C1517	1	LINER, FRONT CYLINDER
51J	9001093	1	FERRULE, RUBBER (JACKLEG)
51	D1390		FERRULE, (STEEL)
52JS	E393X	1	CYLINDER (MUFFLED) (JACKLEG)
53	C1512	1	CHUCK NUT
54	C1516		SPACER, CHUCK NUT
55A	B1178A		CHUCK ASSEMBLY INCLUDES ITEMS (53) (55)
55AS	B1178AS		CHUCK ASSEMBLY INCLUDES ITEMS (53) (55) (63)
55	B1178	1	CHUCK
56	NB500P		GASKET, FRONTHEAD (PLASTIC)
56A	NB500		FRONTHEAD GASKET (COPPER)
57	A2598A	1	FRONTHEAD
58	A2599	1	STEEL RETAINER (7/8" HEX)
58A	A2663	1	STEEL RETAINER (1" HEX)
59	12812UF	1	NUT, NYLOC
60	D6205C	2	BUFFER
61	C6908	1	PIN, STEEL RETAINER
93	WHIPCHECK	1	SAFETY WHIPCHECK (NOT SHOWN)
94	1643403	1	O RING (164311)
170	5048912	1	LUBRICATOR

Key#	Component	Assy	Description
59	12812UF	2	NUT, NYLOC
62S	D1388D	2	NUT, SIDE ROD (STOPER)
91	D1454	1	NUT, OPERATING HANDLE
94	D2154	2	SPACER, SIDE ROD
133S	C1582C	2	SIDE ROD (STOPER)
150	B3352	1	TEE HANDLE
151	S2120	2	GRIP, TEE HANDLE
152	C3844	1	GUIDE, TEE HANDLE
155	D2584	2	SPRING, TEE HANDLE
156	C1940	1	BUSHING, CYLINDER
157	B1729	1	HANDLE, STIRRUP
160	C1939	1	BUSHING, BACKHEAD
161	D1392	1	WASHER, SPINDLE THRUST