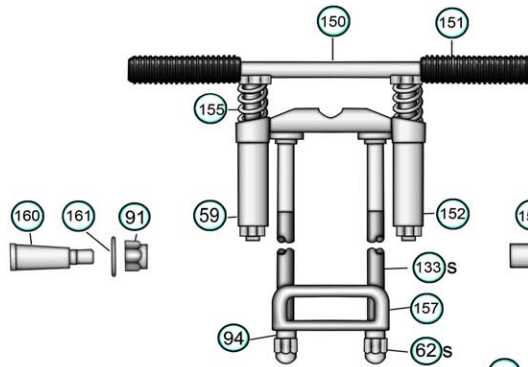
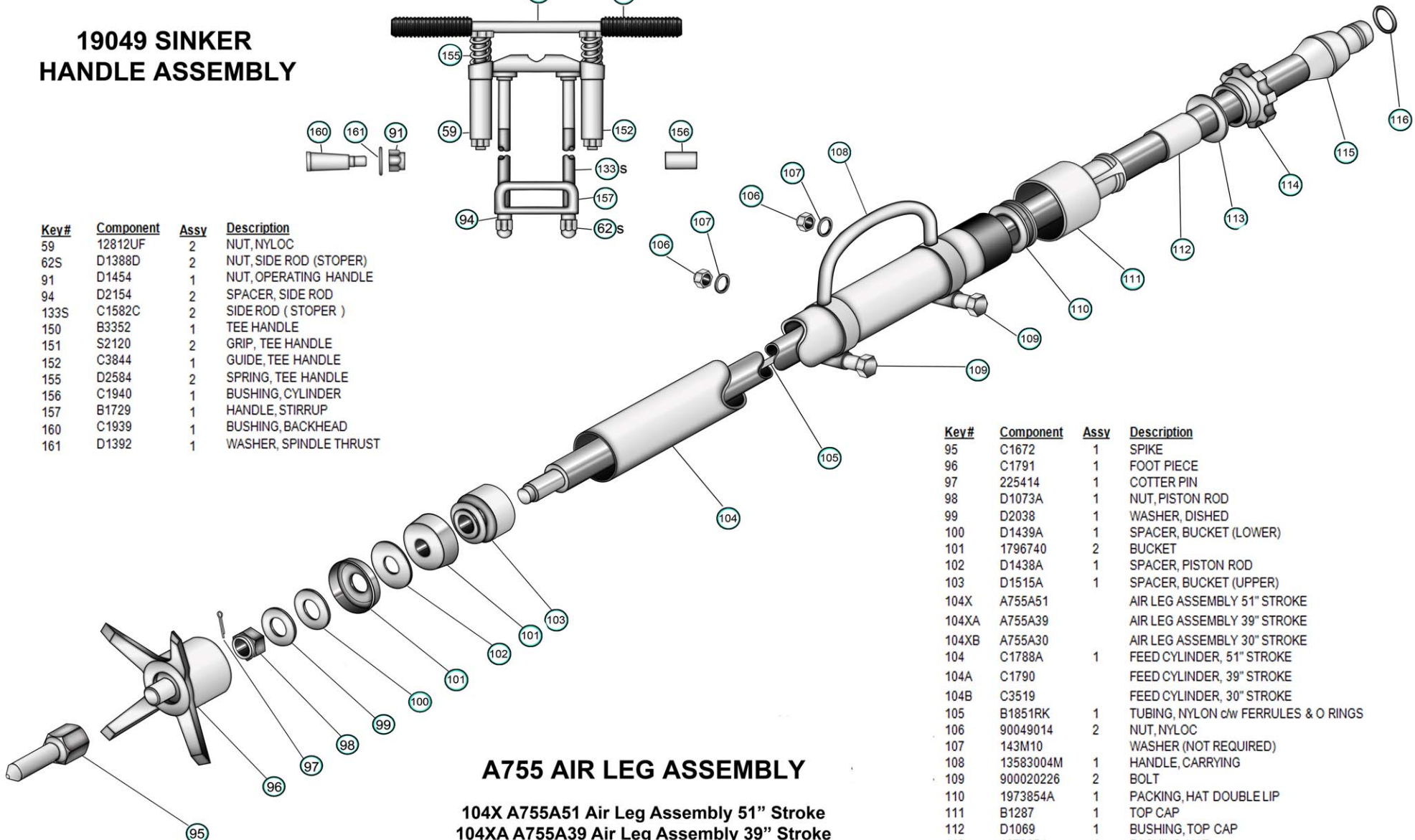


# 19049 SINKER HANDLE ASSEMBLY



Key#	Component	Assy	Description
59	12812UF	2	NUT, NYLOC
62S	D1388D	2	NUT, SIDE ROD (STOPER)
91	D1454	1	NUT, OPERATING HANDLE
94	D2154	2	SPACER, SIDE ROD
133S	C1582C	2	SIDEROD ( STOPER )
150	B3352	1	TEE HANDLE
151	S2120	2	GRIP, TEE HANDLE
152	C3844	1	GUIDE, TEE HANDLE
155	D2584	2	SPRING, TEE HANDLE
156	C1940	1	BUSHING, CYLINDER
157	B1729	1	HANDLE, STIRRUP
160	C1939	1	BUSHING, BACKHEAD
161	D1392	1	WASHER, SPINDLE THRUST



Key#	Component	Assy	Description
95	C1672	1	SPIKE
96	C1791	1	FOOT PIECE
97	225414	1	COTTER PIN
98	D1073A	1	NUT, PISTON ROD
99	D2038	1	WASHER, DISHED
100	D1439A	1	SPACER, BUCKET (LOWER)
101	1796740	2	BUCKET
102	D1438A	1	SPACER, PISTON ROD
103	D1515A	1	SPACER, BUCKET (UPPER)
104X	A755A51		AIR LEG ASSEMBLY 51" STROKE
104XA	A755A39		AIR LEG ASSEMBLY 39" STROKE
104XB	A755A30		AIR LEG ASSEMBLY 30" STROKE
104	C1788A	1	FEED CYLINDER, 51" STROKE
104A	C1790		FEED CYLINDER, 39" STROKE
104B	C3519		FEED CYLINDER, 30" STROKE
105	B1851RK	1	TUBING, NYLON c/w FERRULES & O RINGS
106	90049014	2	NUT, NYLOC
107	143M10		WASHER (NOT REQUIRED)
108	13583004M	1	HANDLE, CARRYING
109	900020226	2	BOLT
110	1973854A	1	PACKING, HAT DOUBLE LIP
111	B1287		TOP CAP
112	D1069	1	BUSHING, TOP CAP
113	1973854	1	PACKING, HAT
114	C1520	1	NUT, ADAPTER
115	B1851A	1	PISTON ROD, 51" STROKE
115A	B1849		PISTON ROD, 39" STROKE
115B	B3004		PISTON ROD, 30" STROKE
116	1646014	1	O RING (164531)

## A755 AIR LEG ASSEMBLY

- 104X A755A51 Air Leg Assembly 51" Stroke
- 104XA A755A39 Air Leg Assembly 39" Stroke
- 104XB A755A30 Air Leg Assembly 30" Stroke



©Copyright 2011.09.27

C2 1175 Appleby Line, Burlington Ontario Canada L7L 5H9  
 Phone: (905) 332-3271 Fax: (905) 332-9497 Toll: (800) 267-2082  
 Website: www.phqglobal.com